

Name

Class



www.MathsTeacherHub.com

Area and perimeter

(9 – 1) Topic booklet

These questions have been collated from previous years GCSE Mathematics papers.

You must have: Ruler graduated in centimetres and millimetres, protractor, pair of compasses, pen, HB pencil, eraser.

Total Marks

Instructions

- Use **black** ink or ball-point pen.
- Fill in the boxes** at the top of this page with your name, centre number and candidate number.
- Answer **all** questions.
- Answer the questions in the spaces provided
– *there may be more space than you need.*
- Diagrams are NOT accurately drawn, unless otherwise indicated.
- You must **show all your working out.**
- If the question is a **1F** question you are not allowed to use a calculator.
- If the question is a **2F** or a **3F** question, you may use a calculator to help you answer.

Information

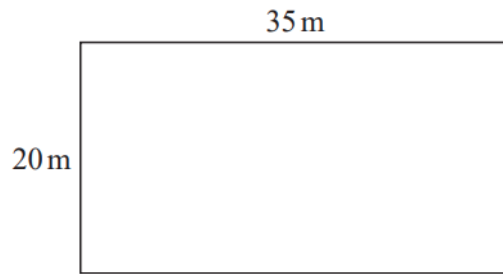
- The marks for **each** question are shown in brackets
– *use this as a guide as to how much time to spend on each question.*

Advice

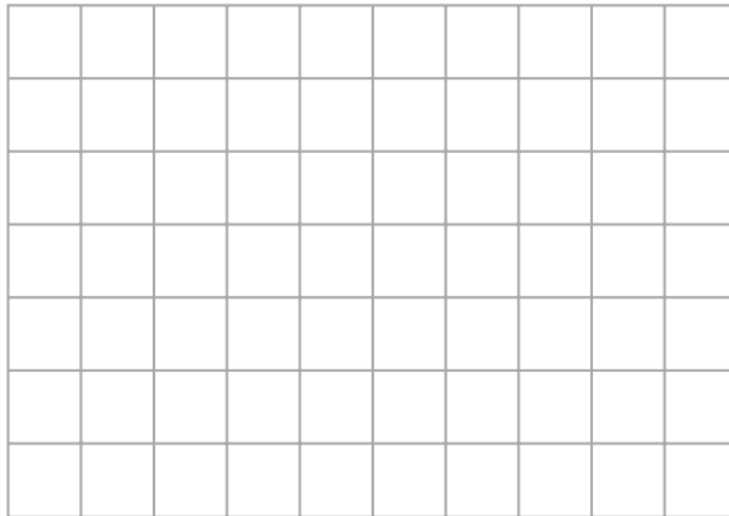
- Read each question carefully before you start to answer it.
- Keep an eye on the time.
- Try to answer every question.
- Check your answers if you have time at the end.

Answer ALL questions
Write your answers in the space provided.
You must write down all the stages in your working.

5 The diagram shows a rectangle.

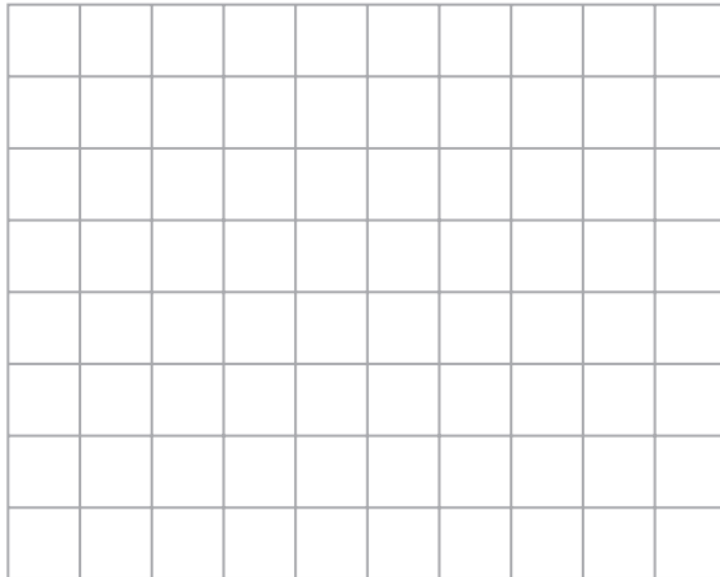


On the centimetre grid below, draw an accurate scale drawing of this rectangle.
Use a scale of 1 cm to represent 5 m.

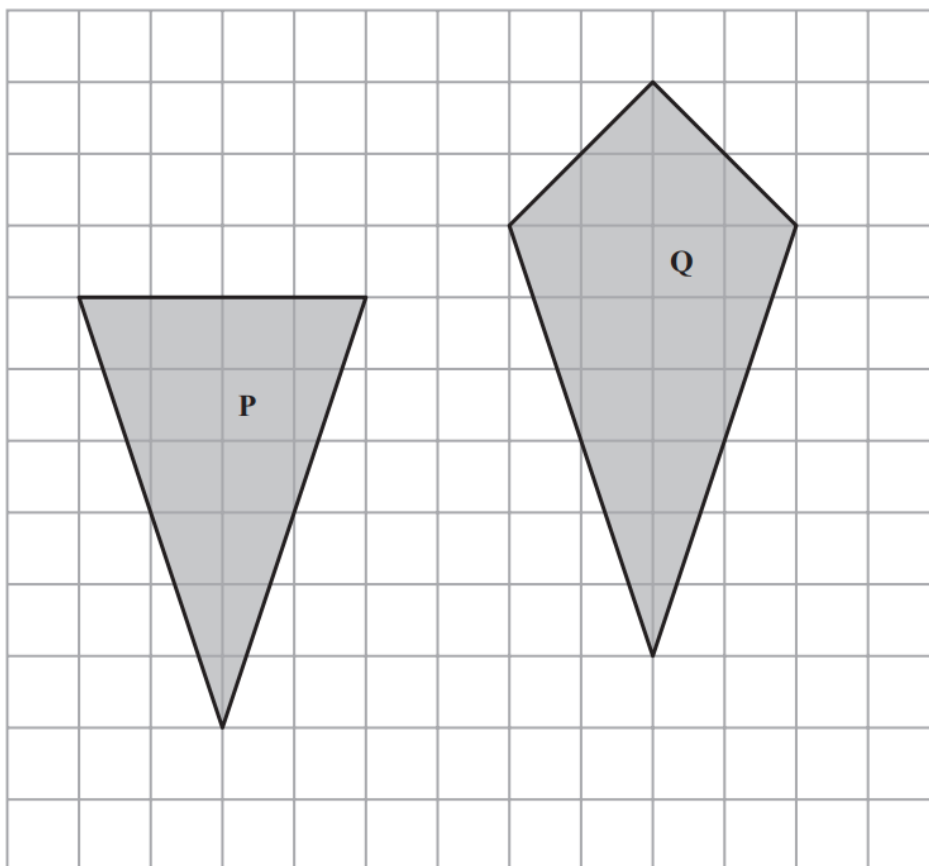


- 8 The length of a rectangle is twice as long as the width of the rectangle.
The area of the rectangle is 32 cm^2 .

Draw the rectangle on the centimetre grid.



10 The diagram shows two shapes drawn on a centimetre grid.



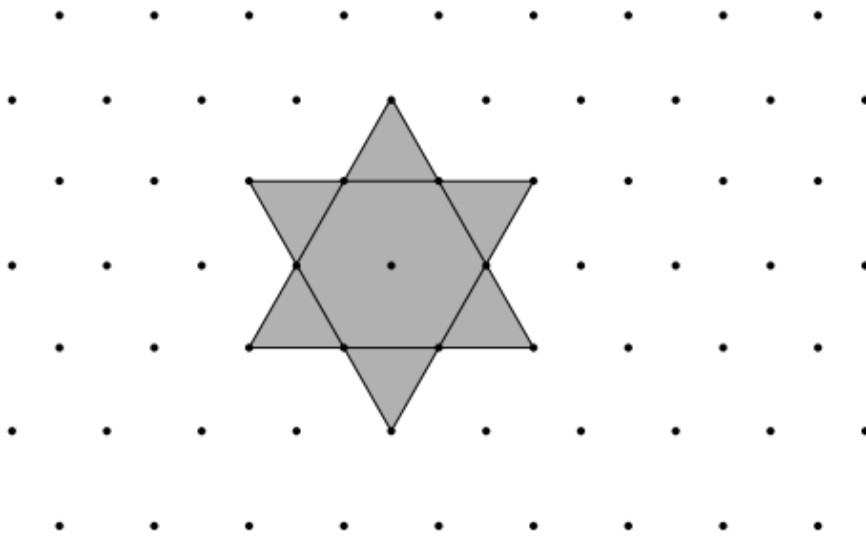
(a) Find the area of shape P.

.....
(2)

(b) Write down the mathematical name of quadrilateral Q.

.....
(1)

12 Here is a star shape.



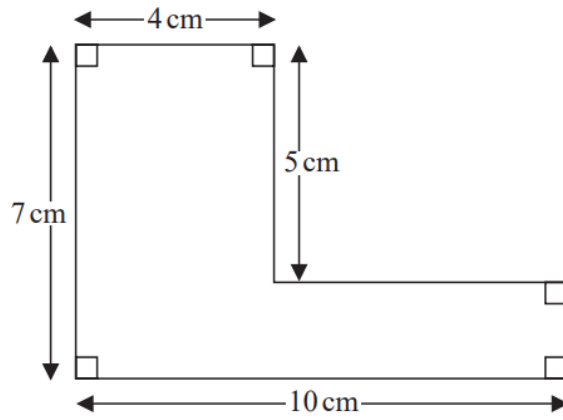
The star shape is made from a regular hexagon and six congruent equilateral triangles.

The area of the star shape is 96 cm^2 .

Work out the area of the regular hexagon.

..... cm^2

13



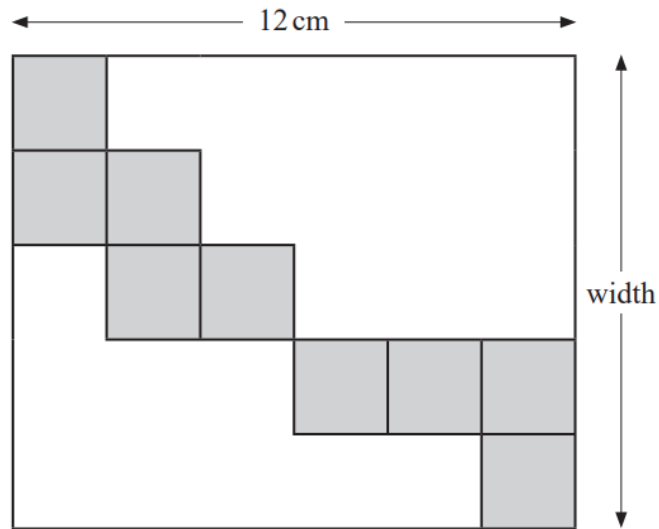
Work out the perimeter of this shape.

..... cm

May 2020 – Paper 3F

(Total for Question 13 is 2 marks)

13 The diagram shows nine identical squares inside a rectangle.

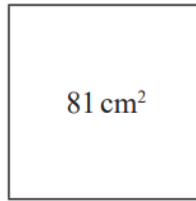


The length of the rectangle is 12 cm.

Work out the width of the rectangle.

.....cm

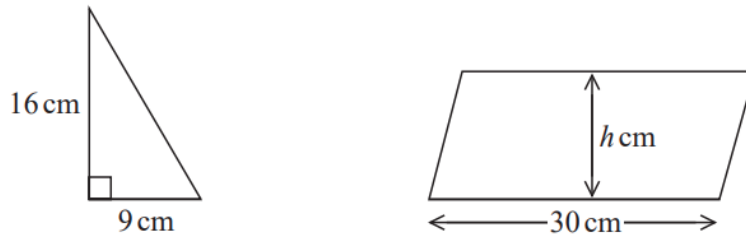
13 A square has an area of 81 cm^2



(a) Find the perimeter of the square.

..... cm
(2)

The diagram shows a right-angled triangle and a parallelogram.

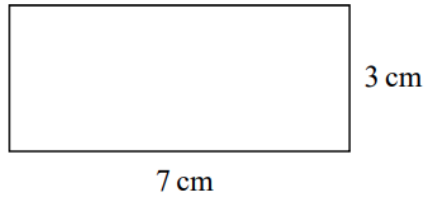


The area of the parallelogram is 5 times the area of the triangle.
The perpendicular height of the parallelogram is h cm.

(b) Find the value of h .

$h =$
(3)

14 Here is a rectangle.



Coby has to find the perimeter of this rectangle.

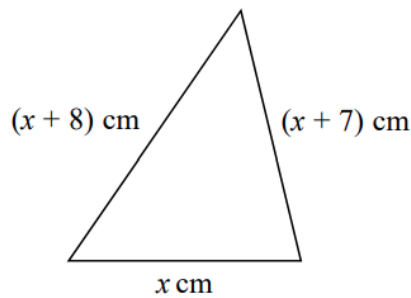
He writes,

$$\text{Perimeter} = 7 \times 3$$

(a) What mistake has Coby made?

.....
.....
.....
(1)

Here is a triangle.



Iram solves a problem about this triangle to find the value of x .

Her answer is

$$x = -2$$

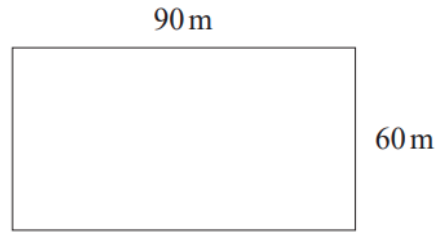
(b) Explain why Iram's answer must be wrong.

.....
.....
.....
(1)

15 A garden is in the shape of a rectangle 90 m by 60 m.

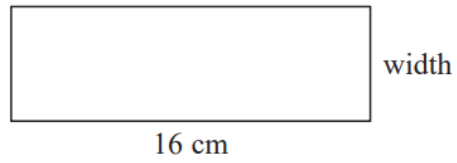
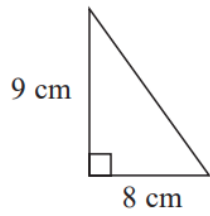
Flowers are grown in 40% of the garden.
The rest of the garden is grass.

Work out the area of the garden that is grass.



.....m²

15 Here are a triangle and a rectangle.



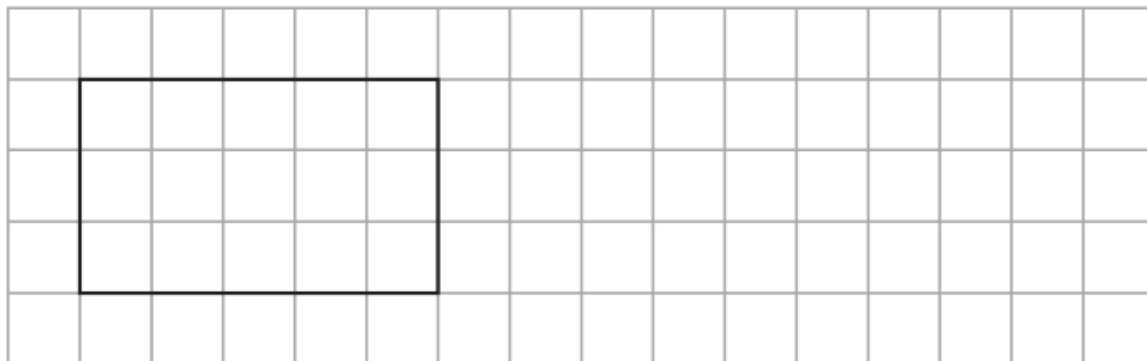
The area of the rectangle is 6 times the area of the triangle.

Work out the width of the rectangle.

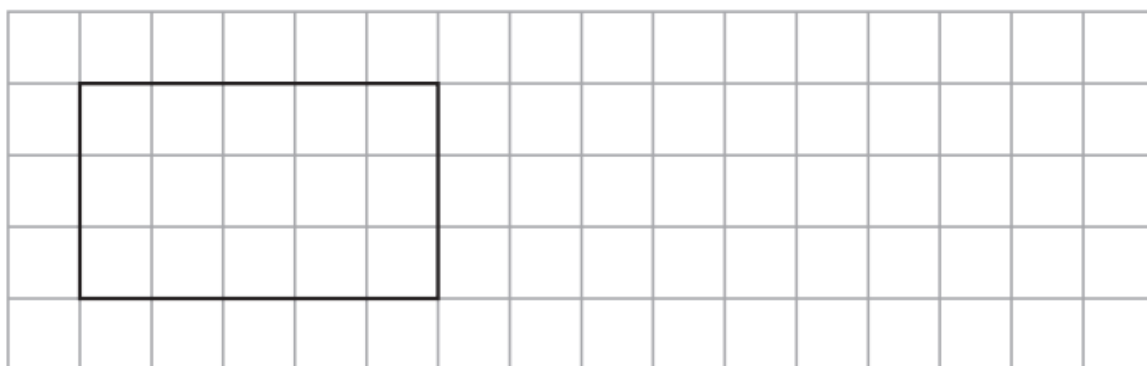
..... cm

16 Give an example to show that when a piece is cut off a rectangle the perimeter of the new shape

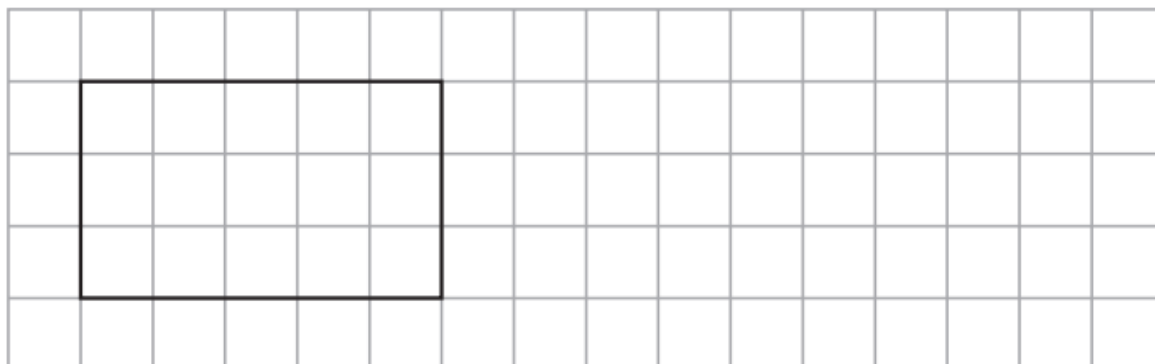
(i) is less than the perimeter of the rectangle,



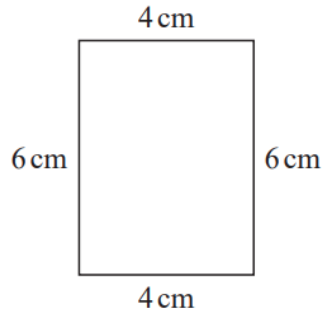
(ii) is the same as the perimeter of the rectangle,



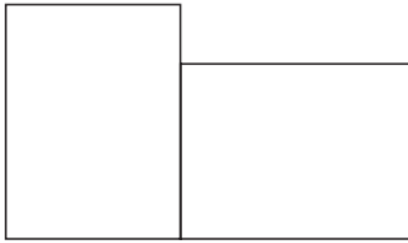
(iii) is greater than the perimeter of the rectangle.



16 Here is a rectangle.



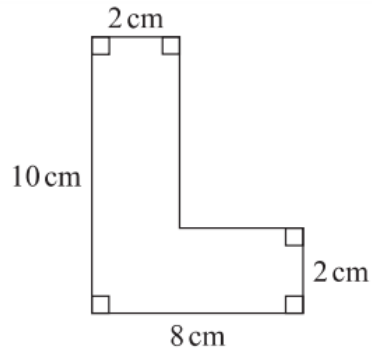
The 6-sided shape below is made from two of these rectangles.



Work out the perimeter of this 6-sided shape.

..... cm

16



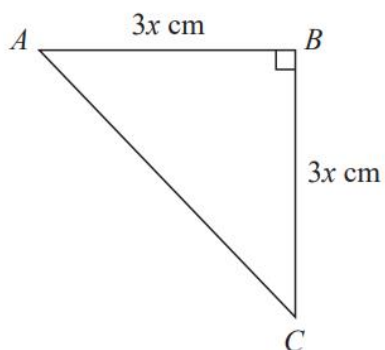
Work out the area of the shape.

..... cm²

Specimen 1 – Paper 1F

(Total for Question 16 is 2 marks)

17 ABC is an isosceles right-angled triangle.

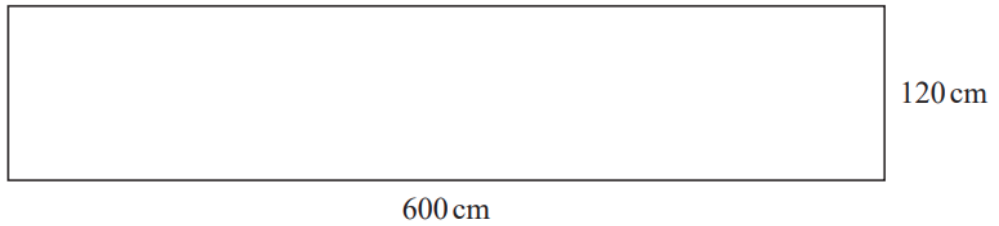


The area of the triangle is 162 cm^2

Work out the value of x .

$x = \dots\dots\dots$

18 The diagram shows a rectangular garden path.



Wasim is going to cover the path with paving stones.

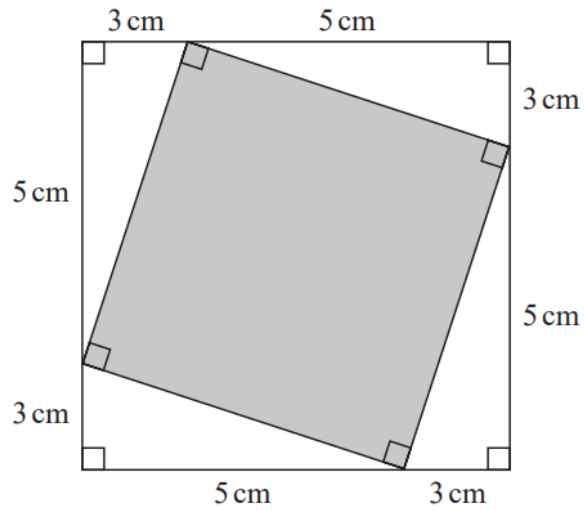
Each paving stone is a square of side 30 cm.

Each paving stone costs £2.50

Wasim has £220 to spend on paving stones.

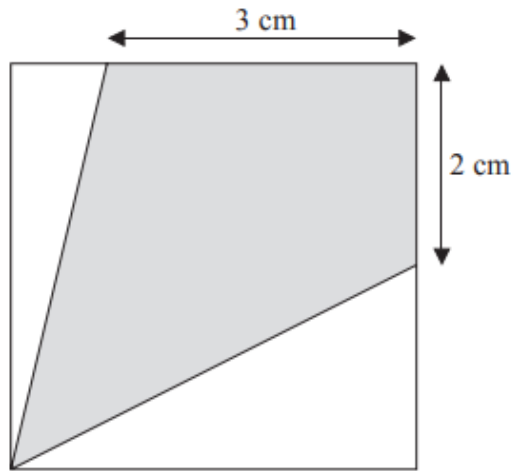
Show that he has enough money to buy all the paving stones he needs.

19 This diagram shows two squares.



Work out the area of the square shown shaded in the diagram.

20 The diagram shows a square with perimeter 16 cm.



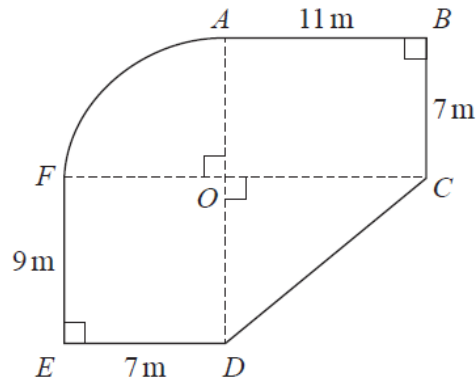
Work out the proportion of the area inside the square that is shaded.

21 The diagram shows a plan of Jason's garden.

$ABCO$ and $DEFO$ are rectangles.

CDO is a right-angled triangle.

AFO is a sector of a circle with centre O and angle $AOF = 90^\circ$



Jason is going to cover his garden with grass seed.

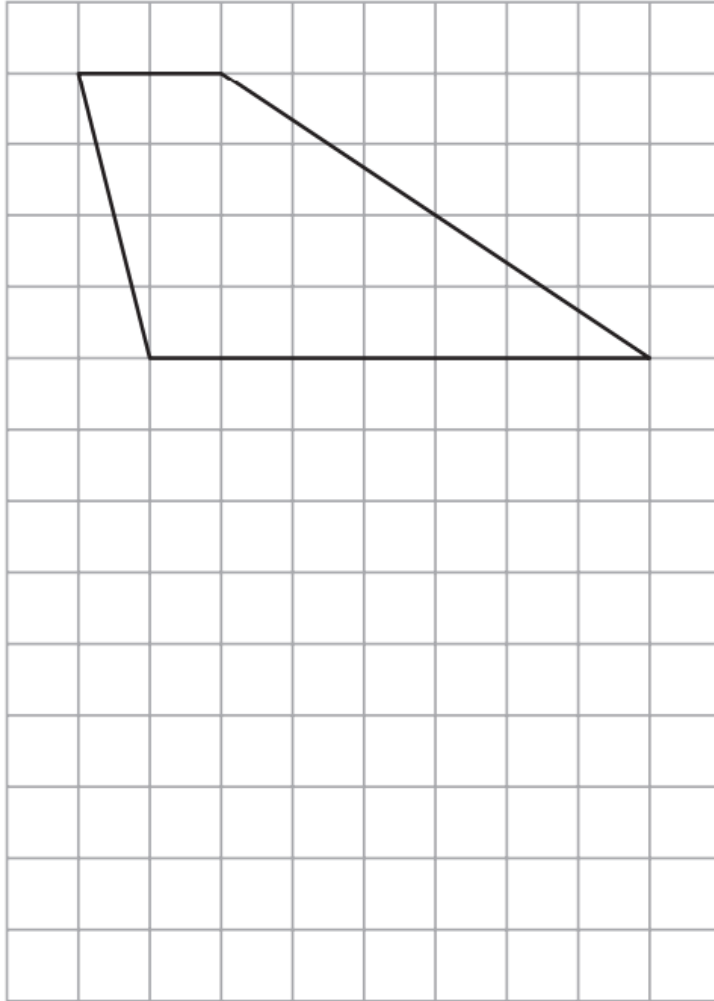
Each bag of grass seed covers 14m^2 of garden.

Each bag of grass seed costs £10.95

Work out how much it will cost Jason to buy all the bags of grass seed he needs.

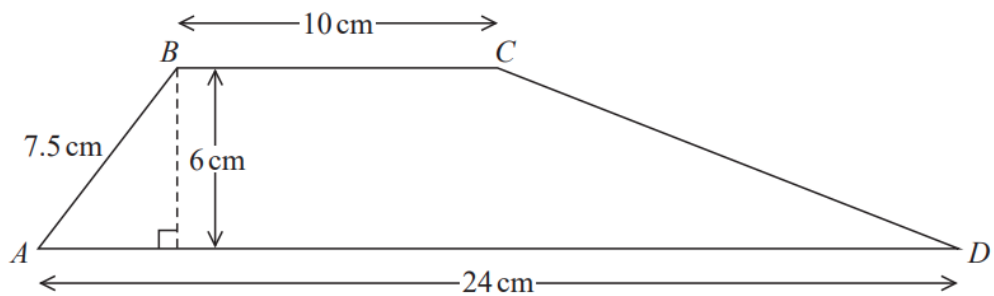
£.....

21 Here is a trapezium drawn on a centimetre grid.



On the grid, draw a triangle equal in area to this trapezium.

22 $ABCD$ is a trapezium.

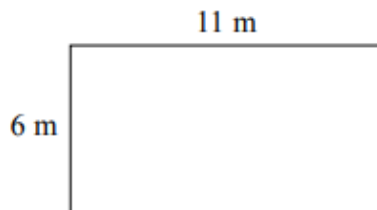


Work out the size of angle CDA .

Give your answer correct to 1 decimal place.

22 A tin of varnish costs £15

A rectangular floor has dimensions 6 m by 11 m.
The floor is going to be covered in varnish.



Helen assumes that each tin of this varnish covers an area of 12 m^2 .

(a) Using Helen's assumption, work out the cost of buying the varnish for this floor.

£.....
(4)

Helen finds that each tin of varnish covers less than 12 m^2 .

(b) Explain how this might affect the number of tins she needs to buy.

.....
.....
(1)

26 Maisie knows that she needs 3 kg of grass seed to make a rectangular lawn 5 m by 9 m.

Grass seed is sold in 2 kg boxes.

Maisie wants to make a rectangular lawn 10 m by 14 m.

She has 5 boxes of grass seed.

(a) Has Maisie got enough grass seed to make a lawn 10 m by 14 m?

You must show all your working.

(4)

Maisie opens the 5 boxes of grass seed.

She finds that 4 of the boxes contain 2 kg of grass seed.

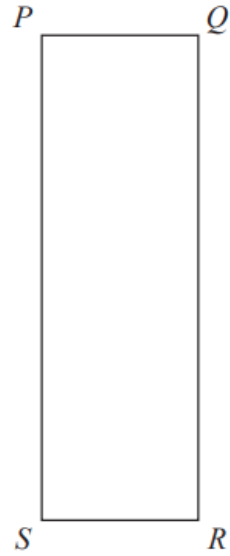
The other box contains 1 kg of grass seed.

(b) Does this affect whether Maisie has enough grass seed to make her lawn?

Give a reason for your answer.

(1)

28 Here are two rectangles.



$$QR = 10 \text{ cm}$$

$$BC = PQ$$

The perimeter of $ABCD$ is 26 cm

The area of $PQRS$ is 45 cm^2

Find the length of AB .

..... cm